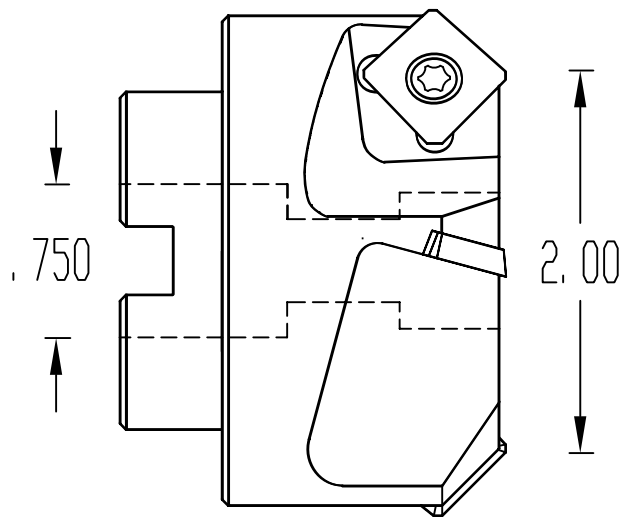


# T&A Tool, Inc.

Manufacturers of Special Carbide Indexable Insert Tooling



5 INSERT  
45 DEG. 2.0 DIA. HIGH SHEER FACE MILL

ORDER # 2-45-5-.75 HS-RH/LH

RIGHT HAND	QTY.	1-2	3-5	6-10	11+
	PRICE EA.	265.00	246.00	238.00	234.00

LEFT HAND	QTY.	1-2	3-5	6-10	11+
	PRICE EA.	355.00	336.00	328.00	324.00

INSERTS FOR 45 DEG. HIGH SHEER CUTTERS # SEE 42-3.940

QTY.	10	20	30	40	50	100	200	500
* GRADE 113	11.10	10.41	9.31	9.12	8.93	8.44	8.24	7.83
C-2 C-5	9.60	9.01	8.21	7.92	7.83	7.49	7.38	7.03

2.0 STOCKED R-H & L-H LARGER SIZES MADE ADD 80.00 PER INCH

\* STOCKED GRADE OF INSERT

TEL. 413-743-5917  
FAX. 413-743-7910

SPECIAL CUTTERS QUOTED ON REQUEST  
DEL. 2 WEEKS TO 6 WEEKS

9/1/92  
10\HS2455