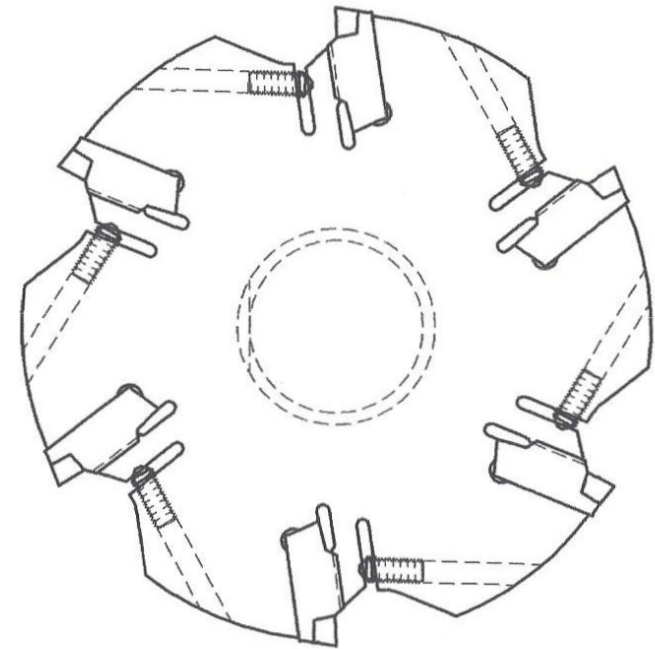


6 FLUTE, 3 EFFECTIVE



## **T & A TOOL, INC.**

TOOL DESCRIPTION: 3.25 DIAMETER x 1.87" SLOTTING CUTTER  
 INSERT: LCMR 160404 (6)  
 SCREW: 5-40 SETSCREW  
 MATERIAL: ALLOY H.T.  
 TOOL NUMBER: 21-24

TOLERANCES <small>(UNLESS OTHERWISE SPECIFIED)</small>		
x.x	+0.20	-0.20
x.xx	+0.10	-0.10
x.xxx	+0.02	-0.02
x.xxxx	+0.005	-0.005
xx°	+30'	-30'
xx°xx'	+15'	-15'