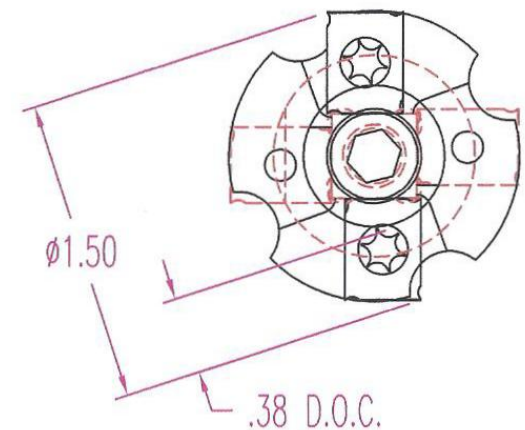


4 FLUTE, 2 EFFECTIVE



## **T & A TOOL, INC.**

TOOL DESCRIPTION: 1.50 DIAMETER x .250" SLOTTING CUTTER

INSERT: LNEU 1235R03 (4)

SCREW: MS-1281 (4)

MATERIAL: ALLOY H.T.

TOOL NUMBER: 276-50

TOLERANCES <small>(UNLESS OTHERWISE SPECIFIED)</small>		
x.x	+0.020	-0.020
x.xx	+0.010	-0.010
x.xxx	+0.002	-0.002
x.xxxx	+0.0005	-0.0005
xx°	+30'	-30'
xx°xx'	+15'	-15'