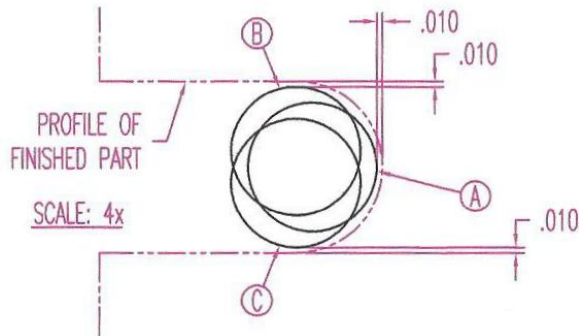
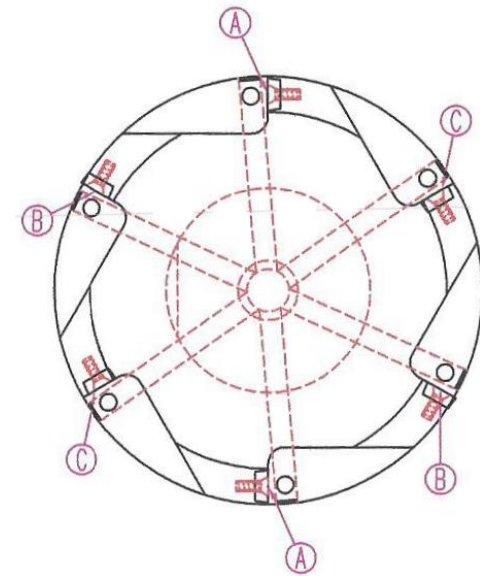
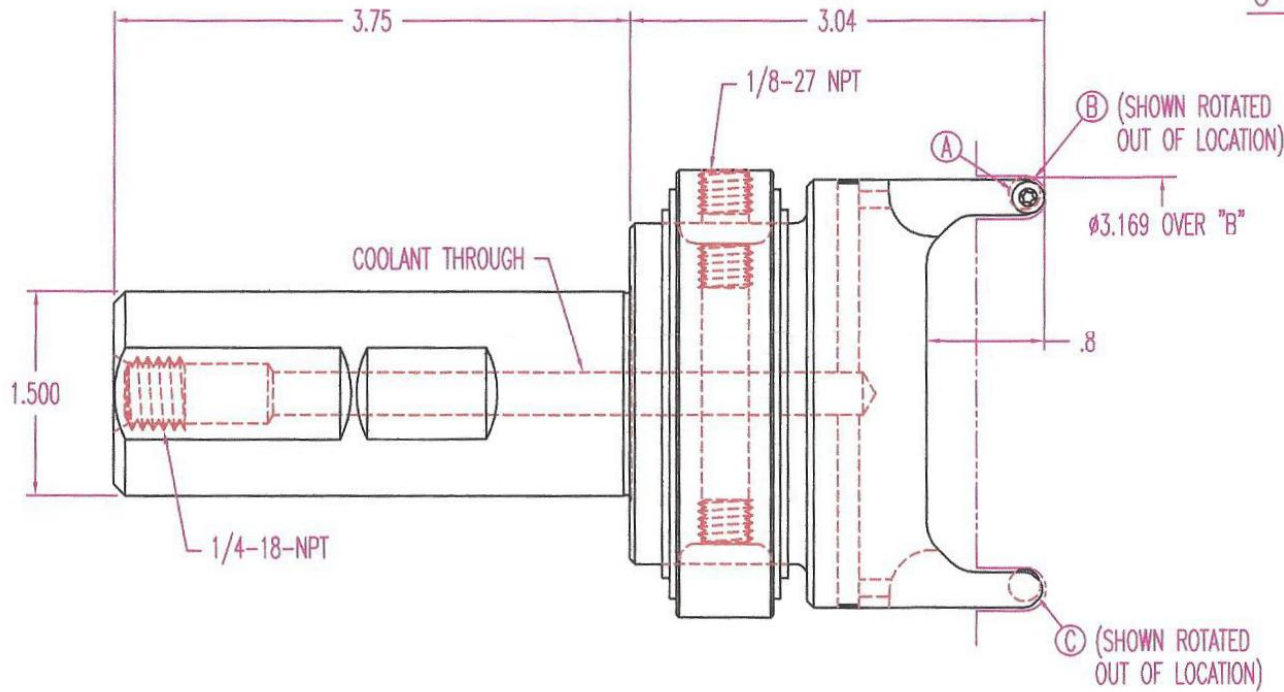


6 FLUTE / 2 EFFECTIVE



# T & A TOOL, INC.

TOOL DESCRIPTION: 3.169 DIA. ROUGH TRE-PAN TOOL  
 INSERT: RCMT 0602M0 (6)  
 SCREW: C02506, M2.5 (6)  
 COOLANT COLLAR: PT-511  
 MATERIAL: ALLOY H.T.  
 TOOL NUMBER: 287-562-A

TOLERANCES		
x.x	+0.20	-0.20
x.xx	+0.10	-0.10
x.xxx	+0.02	-0.02
x.xxxx	+0.005	-0.005
xx°	+30'	-30'
xx°xx'	+15'	-15'