

KEY .28 DEEP

DRILL & C' BORE FOR
3/8 S. H. C. S.

1.000 TYP.

.916 TYP.

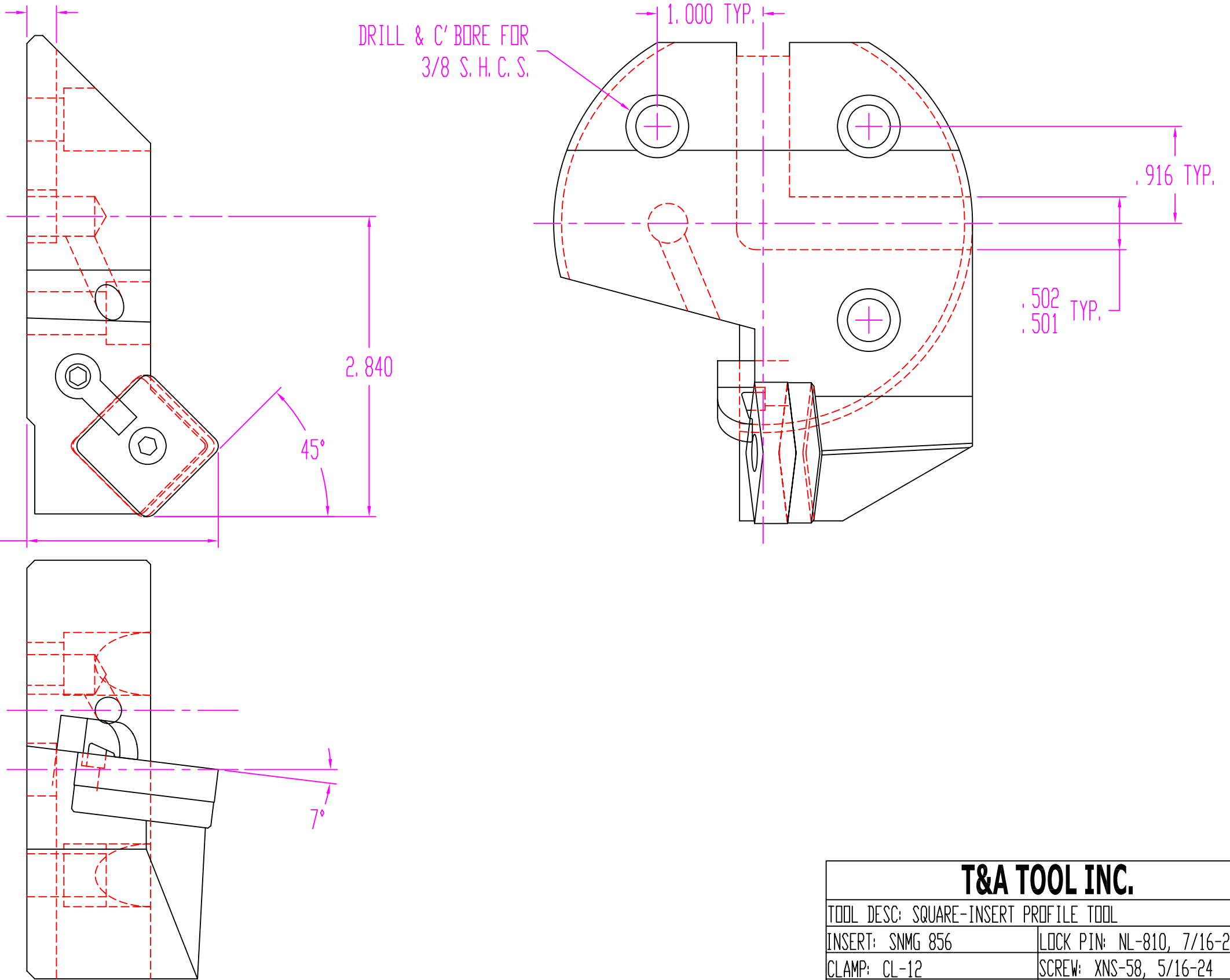
.502 TYP.
.501 TYP.

2.840

45°

1.810

7°



T&A TOOL INC.

TOOL DESC: SQUARE-INSERT PROFILE TOOL

INSERT: SNMG 856

LOCK PIN: NL-810, 7/16-20

CLAMP: CL-12

SCREW: XNS-58, 5/16-24

TOOL NO.: 337-274