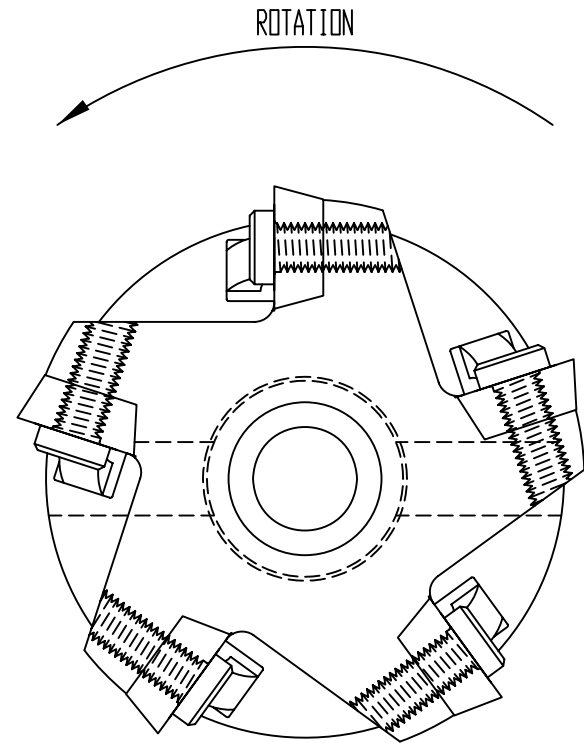


RAKE ANGLES:  
 AXIAL:  $+8^{\circ}$   
 RADIAL:  $-6^{\circ}$



## **T & A TOOL, INC.**

Manufacturers of Special Carbide Indexable Insert Tooling

TOOL DESC:  $\text{Ø}3.0$ , SHELL MILL w/ (5) SERRA-SINE INSERTS

INSERT: RNMC-5.24-SS, ALT. SCREW: 1/4-28 x 1/2 LHCS

CLAMP: CL-7

CLP. SCR.: XNS-35 10-32

TOOL NO.: 337-99