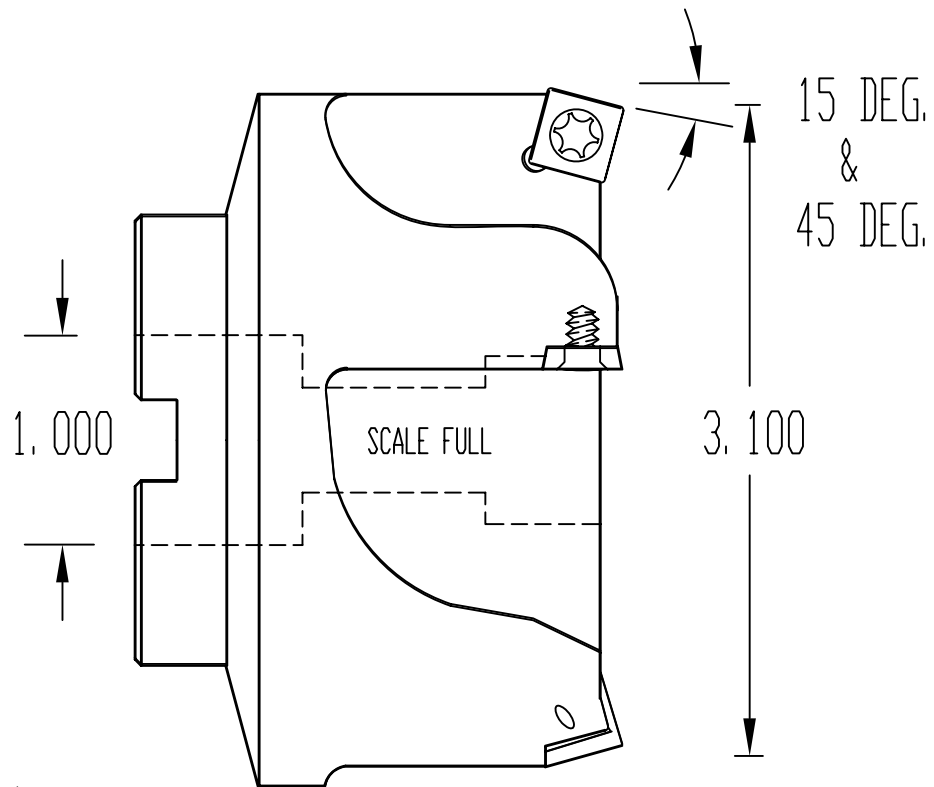


T&A Tool, Inc.

Manufacturers of Special Carbide Indexable Insert Tooling



3.1 DIA.

15 & 45 DEG.

IN STOCK 5 FLUTE 3/8 I.C. INSERT

ORDER #

FM 3.1-15-5-1.0

FM 3.1-45-5-1.0

INSERTS IN STOCK

SD 321P C-2 C-5 C-7 TIN

SD 322P C-2 C-5 C-7 TIN

SD 323P * C-5 *

SD 324P * C-5 *

SD 32 PF C-2 * C-7 TIN WIPER FLAT

TEL. 413-743-5917

FAX. 413-743-7910

* NON STOCK STD.

\0\155381